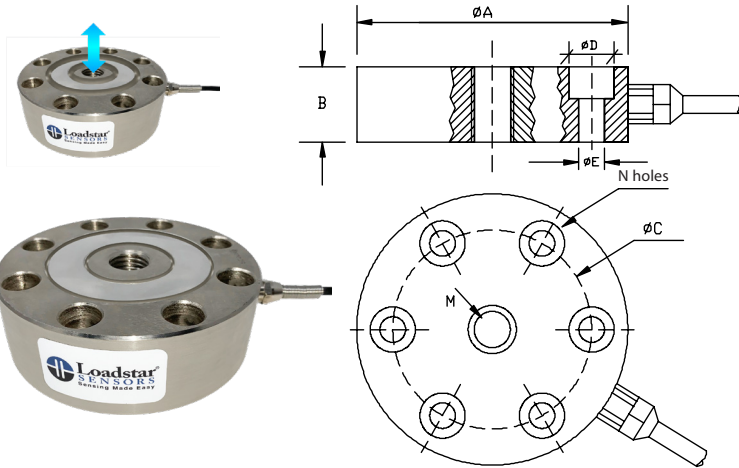


## RSB6 Low Profile Pancake Load Cell



Capacity	250 - 500 kg	1000-2500 kg	5000 kg
A	75	90	140
B	25	25	45
C	57	66	115
D	11	15	18
E	6.5	8.5	11
M	M10x1.5	M12x1.75	M24x3
N	6 holes	6 holes	8 holes

(All dimensions in mm)

### Accuracy Specifications

Accuracy	
Non-linearity	± 0.05% of Full Scale
Hysteresis	± 0.05% of Full Scale
Non-repeatability	± 0.03% of Full Scale

### Load Cell Specifications

Zero Balance	2% of Full Scale
Safe Overload	150% of Full Scale
Ultimate Overload	300% of Full Scale
Full Scale Output	2 - 3 mV/V
Connections	15ft Cable
Input Impedance	750 ± 30 Ω
Output Impedance	700 ± 5 Ω
Insulation	≥ 2000 M Ω / 50 V DC
Rated Excitation	5 - 10 VDC
Operating Temperature Range	-20 to 60 °C with TARE
Compensated Temperature Range	-10 to 40 °C with TARE
Temperature Effect on Zero	0.02% of F.S / 10 °C
Temperature Effect on Span	0.02% of F.S / 10 °C

### Recommended Interfaces



USB Interface

1 Channel:  
DI-100U (40 Hz)  
DI-100UHS (250 Hz)  
DI-1000U (60 Hz)  
DI-1000UHS (500 Hz)  
DI-10000UHS-1K (1 KHz)  
DI-10000UHS-10K (50 KHz)

4 Channel:  
DI-400U (40 Hz)  
DI-400UHS (250 Hz)



Wireless Interface

DI-1000ZP  
DI-1000WIFI  
DI-1000BLE



Analog Interface

AI-1000 (0-5 VDC)  
AI-1000CV (0-5 VDC, 4-20 mA)



Touchscreen Display

DS-3000Pro-1 (1 Channel)  
DS-3000Pro-4 (4 Channel)

### Wiring Information

Cable Color Code	
Red	+ Excitation
Black	- Excitation
Green	+ Signal
White	- Signal

### Ordering Information

Capacity	Part No.
250 Kg	RSB6-250M-S
500 Kg	RSB6-500M-S
1000 Kg	RSB6-01KM-S
2500 Kg	RSB6-2HKM-S
5000 Kg	RSB6-05KM-S

### Calibration Options

*C01	Compression
*C02	Tension
*C03	Universal

### RAL1 Load Cell

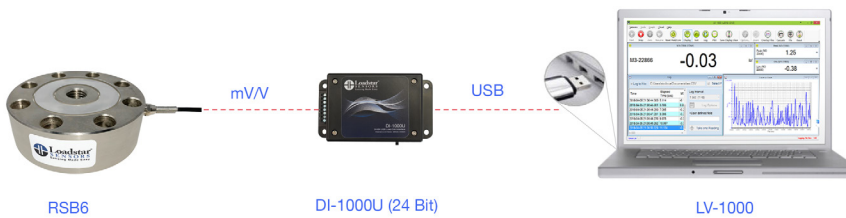
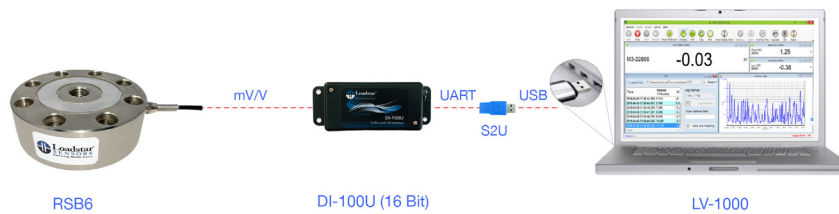


For higher capacities up to 100K lbs.,  
checkout our RAL1 load cell.

### Wireless Load Cell Configuration



### USB Load Cell Configuration



### Analog Load Cell Configuration



### Load Cell with LED Display

